

# Simon Vent-A-Matic Rotary Ventilators

The Simon Vent-A-Matic is a durable and effective range of in-glass ventilators that can solve most ventilation requirements. Available in static and rotary formats, it meets all current gas regulations. Suitable for double and single glazing, the Vent-A-Matic is still the market leader in its field.

## FEATURES

- » A complete range of quality glass mounted ventilators
- » Patented diffusing rotor system prevents severe draughts
- » Controllable - with open/close shutters

## OPTIONS

- » External stormguards available on most models
- » Aperture reducing ring available (APAD)

## DESCRIPTION

Injection moulded components made from UV stabilised translucent polystyrene to avoid discolouration. Ultrasonically welded and assembled in clean-room conditions. Simon Vent-A-Matic glass mounted rotary ventilators are produced under ISO 9001:2015 quality systems.

Controllable with Shutters Models

Single glazed 102/106/SXL/C102S/ C106S/RXL

Double glazed DGS/106

## APERTURE ADAPTORS

Adapters to adapt 180mm up to 200mm dia. holes are available as an extra



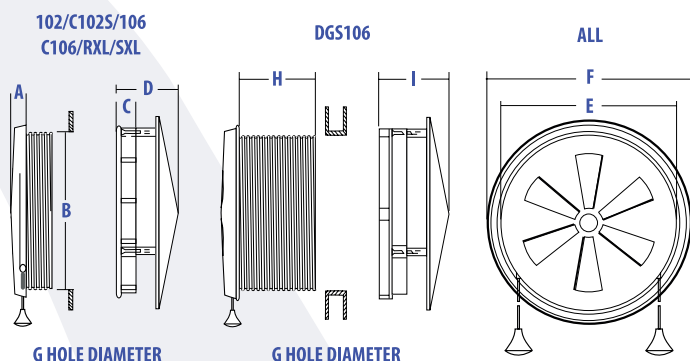
**R.W. Simon Limited**

System Works, Hatchmoor Industrial Estate, Torrington, Devon EX38 7HP United Kingdom

Tel: 01805 623721 Fax: 01805 624578 Email: [info@rwsimon.co.uk](mailto:info@rwsimon.co.uk) Web: [www.rwsimon.co.uk](http://www.rwsimon.co.uk)



# Simon Vent-A-Matic Rotary Ventilators



MODEL	102/ C102S	106/ C106S	DGS/ 106	RXL	SXL
A	18mm	23	23	23	23
B	118	159	159	159	215
C	15	18	18	18	18
D	55	65	-	65	73
E	128	179	179	179	250
F	153	203	203	203	256
G	121	162	162	162	219
H	-	-	50	-	-
I	-	-	65	-	-

## APPLICATION

Simon Vent-A-Matic controllable ventilators are available in various model sizes. Each model is equipped with a diffusing rotor which helps to prevent severe draught and improve fresh air distribution within the room. The rotor also continues to operate whilst under its own inertia, even when air pressure on each side has been equalised.

Model Details	Applications
102	Toilets boats caravans sheds
106	Kitchens, bathrooms, bedrooms and average size rooms
SXL	Larger rooms, offices, hospitals and commercial
C102S	As for 102 but with Stormguard as standard
C106S	As for 106 but with Stormguard as standard
RXL	Sliding sash windows with narrow clearances between two window frames
DGS/106	For hermetically sealed units & secondary double glazing from 12-32mm

Controls: Each model is provided with radial shutter control operated by a pull cord.

Vent-A-Matic Model	Volume (litres/second)	Equivalent Area (mm <sup>2</sup> ) @ 1pa
102	3.53	4,498
C102S	3.14	3,998
106	4.63	5,897
C106S	5.5	6,997
DGS/106	5.5	6,997
RXL	4.71	5,997
SXL	9.03	11,495

## SITWORK

All of the above models are designed for a simple two part fitting into a glass aperture. For additional security and weather tightness, if required, a little silicone glazing sealant can be applied to the external retaining ring.

Important: Hermetically sealed units must be fitted by the double glazing manufacturer. Request the fitting of a Vent-A-Matic prior to manufacture and installation of double glazing

